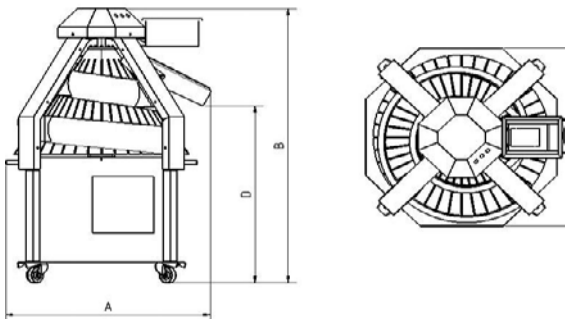


DOUGH ROUNDERS - CM SERIES

CM 3000 / 3100 – DIMENSION



	CM 3000 Fixed channels	CM 3100 Adjustable channels
Width	985 mm	985 mm
Depth	985 mm	985 mm
Height	1420 mm	1420 mm
Weight	220 kg	260 kg

CM 3000/3100 - SPECIFICATIONS

	CM 3000 Fixed channels	CM 3100 Adjustable channels
Weight Range	40– 150 gr. 150– 600 gr.	250– 1000 gr.
Capacity	Up to 4000 pcs/hr.	Up to 4000 pcs/hr.
Power	1.1 kw	1.1 kw

FEATURES

- Fully automatic dough rounder with high output capacity
- Rounding Capacity up to 4000 pcs/hr.
- For bread in best hand-made quality
- Weight range: 40 – 150 gm (Sandwich, 150 - 600 gm, 250-1000 gm Tin Bread).
- Stainless steel or Teflon conic.
- Handles soft to hard rye, wheat and mixed dough
- Very small footprint area due to compact design
- Very simple and easy one-man operation
- Easy, safe handling and maintenance
- Simple and quick to clean
- Machine on wheels
- Can be combined with downstream moulder



- SUPPLIED

- Supplied with Technical Service manual
- Warranty: 1 year.