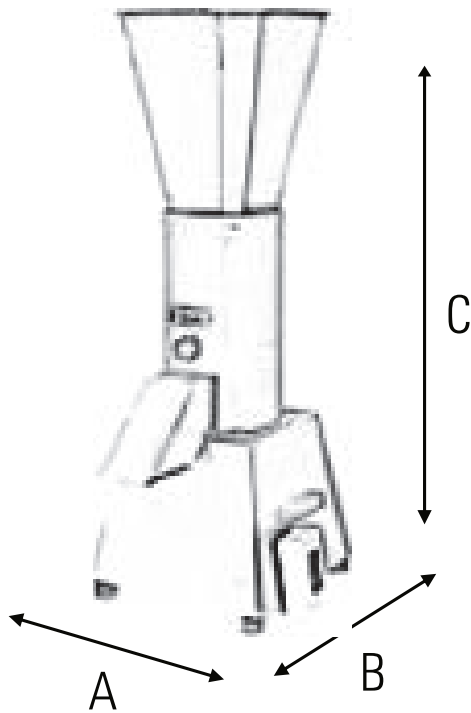


GENERAL FEATURES

- Designed for making bread crumbs.
- 304 Q Stainless Steel Body.
- Three Kilograms capacity hopper.
- Produced Thin or Thick sieve if needed.
- Two year warranty against defect of manufacturing and assembly.

OPTIONAL : Mono phase (230 VOLT) motor available .

TECHNICAL FEATURES



AxBxC (mm)
420x500x1080



WEIGHT



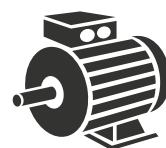
39 kg

CAPACITY



60 kg/HOUR

POWER



1,75 kw / 380 V

iBakery[®]
INDUSTRIAL BAKERY EQUIPMENTS

Makes Your Bakery Productive!

W: ibakery.com.au - E: sales@ibakery.com.au - M: 0450 600 800

Ask how you can optimize your bakery business and maximize your productivity?